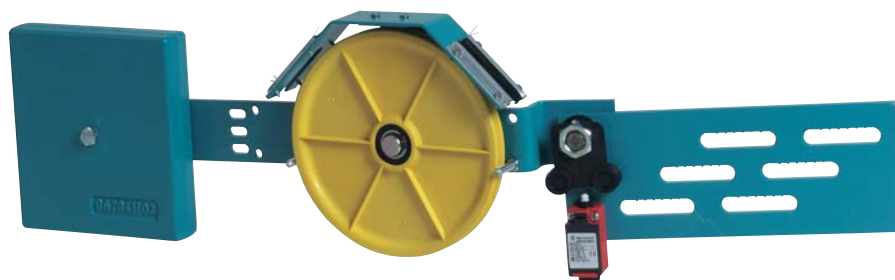


OVERSPEED GOVERNOR

OL35

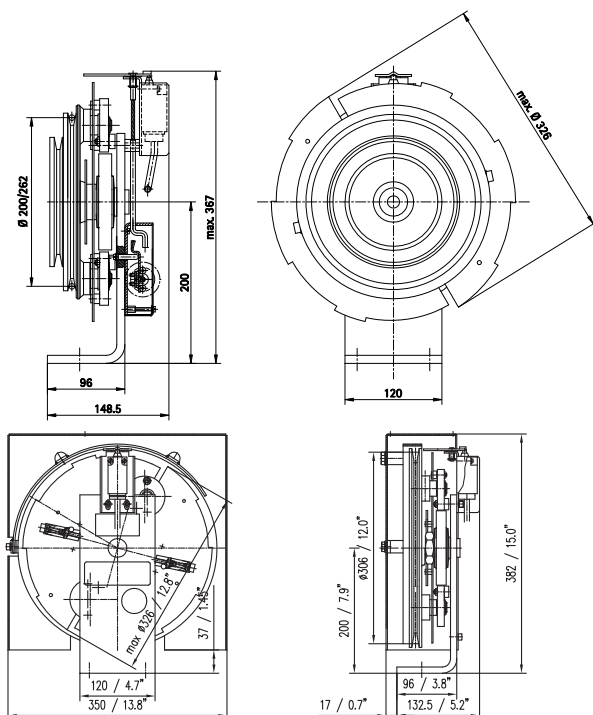
EXCELLENCE IN COMPONENTS



OVERSPEED GOVERNOR

OL35

TYPES	OL35-EN81	OL35-ASME
Max. permissible rated speed v	2,50 m/s	500 fpm
Max. permissible tripping speed v_1	3,43 m/s	660 fpm
Permissible rope diameter	6 - 8 mm	3/8" (9,5mm)
Pull through force	750±250 N	168± 56lbs



OL35-EN81

OL35-ASME A17.1

FEATURES

- Component certified according to directive 95/16/EC (Lifts)
- Meets code requirements of EN81 and ASME A17.1
- Engagement of the safety gear in down direction
- Tripping possible at any point along perimeter of governor pulley
- Outline dimensions do not change over whole speed range
- Wide range of options available as remote control, base plates, tension weights, providing maximum flexibility