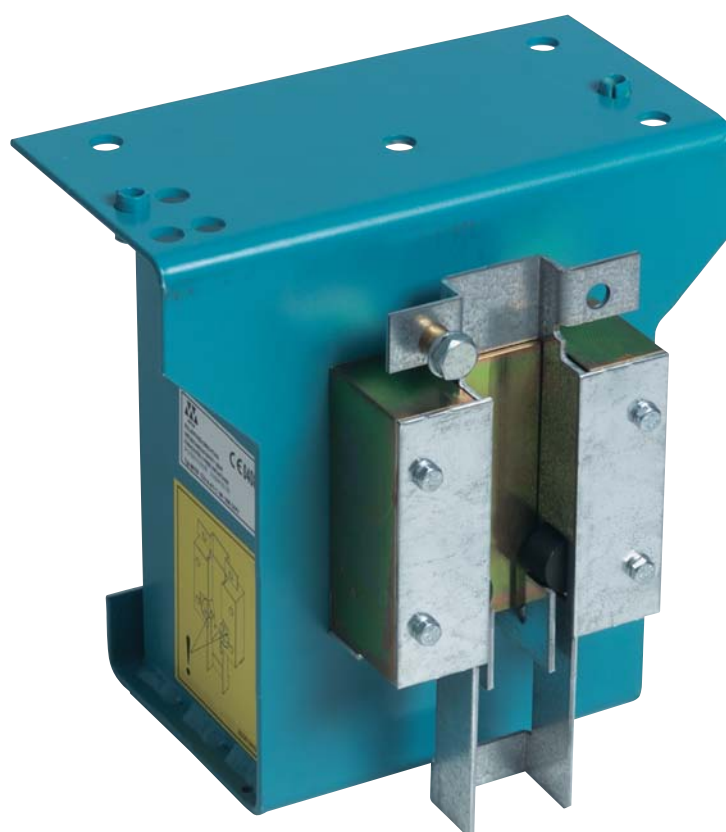


INSTANTANEOUS TYPE SAFETY GEAR

SGA



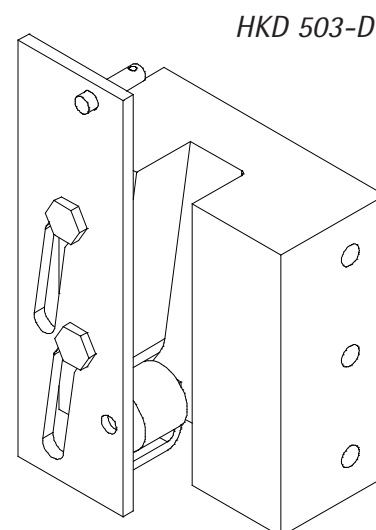
EXCELLENCE IN COMPONENTS

INSTANTANEOUS TYPE SAFETY GEAR

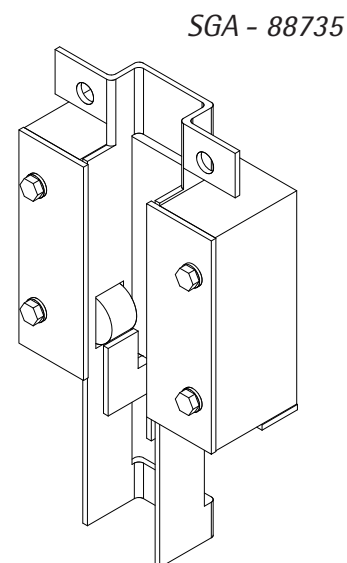
SGA

Operational limits	Car	Counterweight
max. rated speed v	0,63 m/s	1,00 m/s
max. trip. speed v1	1,00 m/s	1,65 m/s

TYPE	max. permissible total mass P(F)+Q (kg)		
	SGA 88735		HKD 503-D
Tripping speed Vmax [m/s]	rail width k=8-9 [mm]	rail width k=16 [mm]	rail width k=16-19 [mm]
0,50	2509	3555	7736
0,60	2414	3421	7443
0,70	2311	3274	7125
0,80	2202	3120	6790
0,90	2091	2963	6446
1,00	1979	2804	6101
1,10	1868	2647	5761
1,20	1761	2495	5429
1,32	1638	2320	5049
1,65	1333	1889	4110



HKD 503-D



SGA - 88735

FEATURES

- component certified according to directive 95/16/EC (Lifts)
- meets the EN81 specification
- working in down direction
- various connecting points (top or bottom) for actuating mechanism are possible
- suitable for rail head width from 8 to 19 mm
- just right for low and mid-range loads